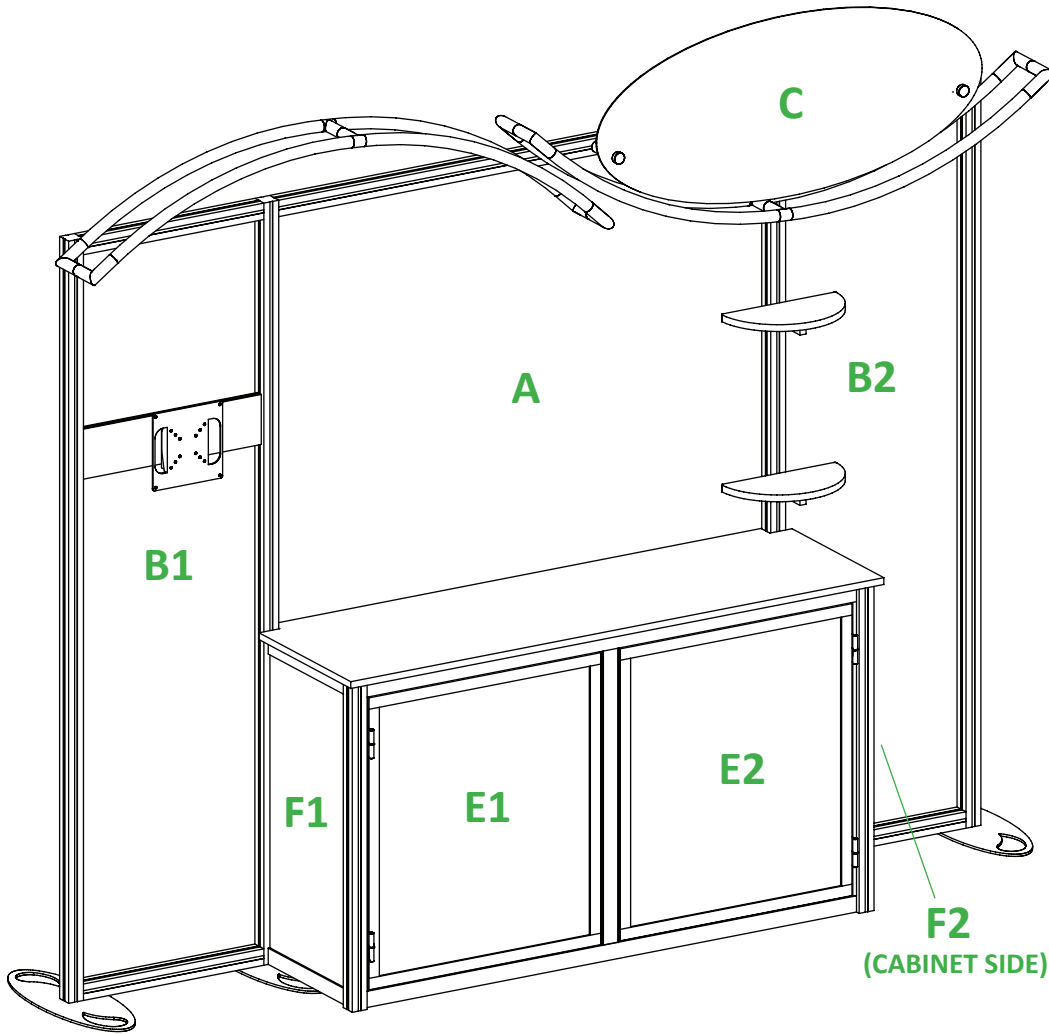


ECO-1044

PLEASE USE PDF FOR REFERENCE ONLY.

Contact your distributor for final graphic templates per order.



GRAPHIC SPECS

GRAPHIC A	QTY. 1
MATERIAL:	TENSION FABRIC *
TREATMENT:	PERIMETER VELCRO
APPROX. SIZE:	61.375" w x 81.753" h
GRAPHIC B	QTY. 2
MATERIAL:	TENSION FABRIC *
TREATMENT:	PERIMETER VELCRO
APPROX. SIZE:	23.375" w x 81.753" h
GRAPHIC C	QTY. 1
MATERIAL:	1/8" ECO-BOARD
TREATMENT:	DIRECT PRINT HEADER
APPROX. SIZE:	47.00" w x 20.00" h
GRAPHIC E	QTY. 2
MATERIAL:	1/8" ECO-BOARD
TREATMENT:	DIRECT PRINT GRAPHIC
APPROX. SIZE:	26.23" w x 30.16" h
GRAPHIC F	QTY. 2
MATERIAL:	1/8" ECO-BOARD
TREATMENT:	DIRECT PRINT GRAPHIC
APPROX. SIZE:	16.50" w x 32.92" h

* Recycled fabric options available

Recycled Fabric Graphics

Made from 100% recycled soda bottles, Paradise Fabric is a high quality 100% recycled content fabric, made in America. Recycled fabric options will vary depending on graphic application.

ECO-Glass

ECO-Glass is a "green" alternative to standard acrylic or plexiglass and is made from 100% post-industrial recycled content. ECO-Glass can be used for infills, accents and direct print graphic substrate. ECO-Glass can be clear or frosted.

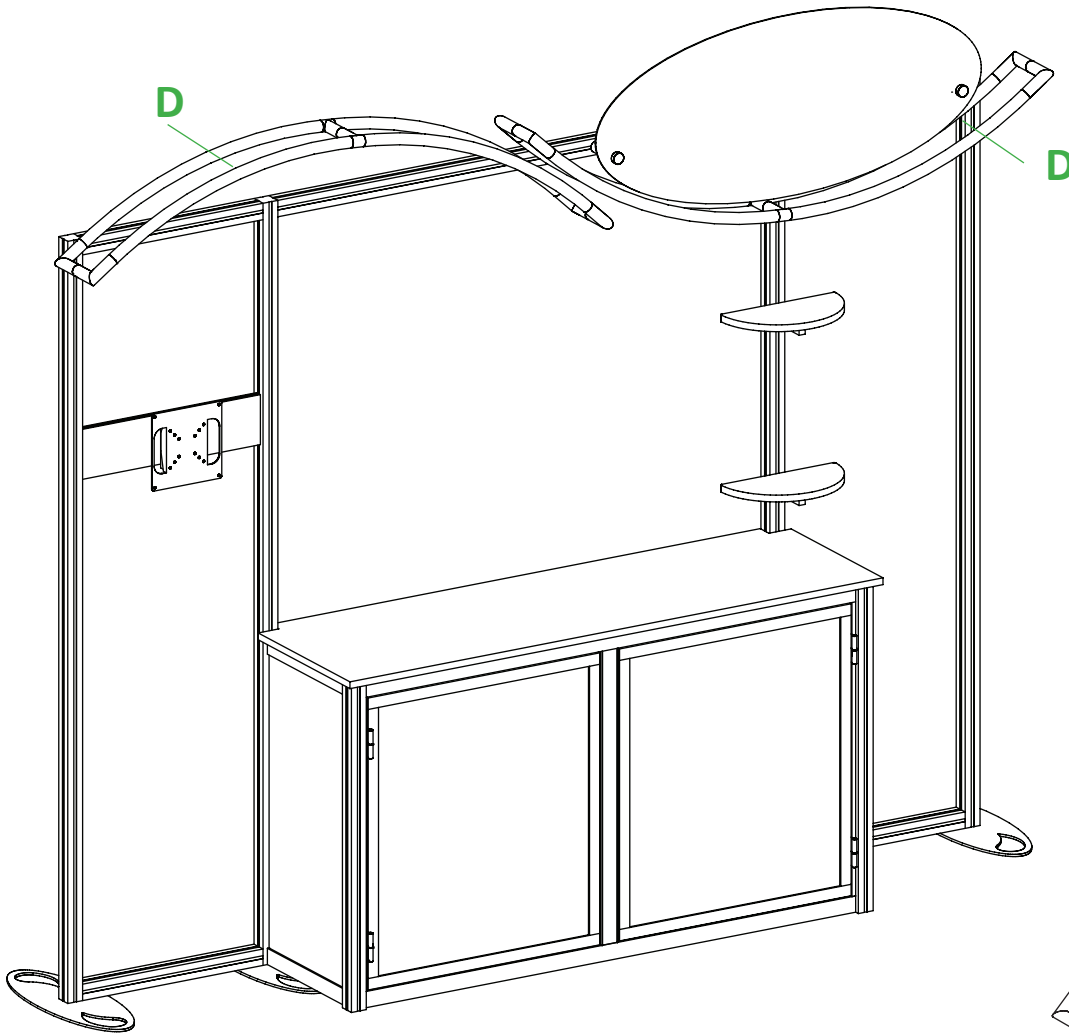
ECO-Board

ECO-Board is a white printable and completely biodegradable polystyrene material. It offers a 2-sided printable surface which makes it an eco-friendly alternative to Sintra (made from PVC), and can biodegrade in a landfill in as little as 9 months. ECO-Board comes in 2 different thicknesses - 1/16" & 1/8."

ECO-1044

PLEASE USE PDF FOR REFERENCE ONLY.

Contact your distributor for final graphic templates per order.

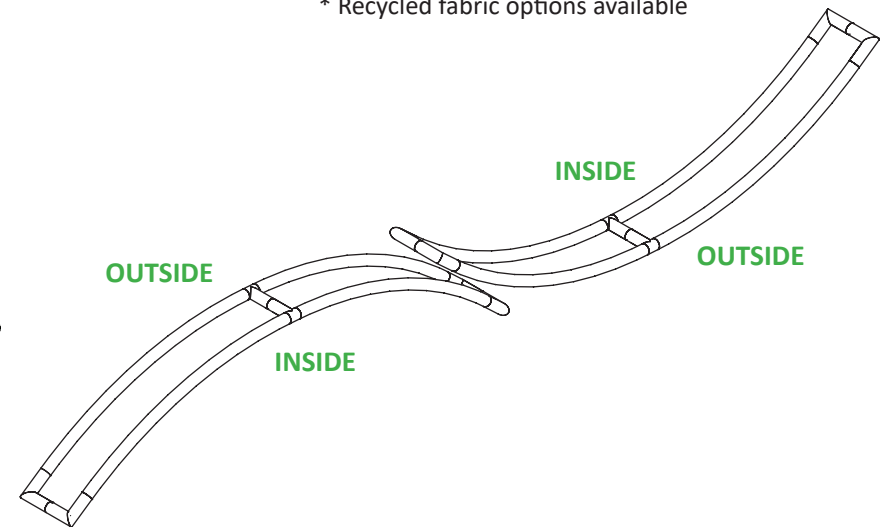


GRAPHIC SPECS

GRAPHIC D	QTY. 2 (OUTSIDE)
MATERIAL:	TENSION FABRIC *
TREATMENT:	PILLOWCASE GRAPHIC
APPROX. SIZE:	71.37" w x 7.96" h

GRAPHIC D	QTY. 2 (INSIDE)
MATERIAL:	TENSIONS FABRIC *
TREATMENT:	PILLOWCASE GRAPHIC
APPROX. SIZE:	69.67" w x 7.96" h

* Recycled fabric options available



Recycled Fabric Graphics

Made from 100% recycled soda bottles, Paradise Fabric is a high quality 100% recycled content fabric, made in America. Recycled fabric options will vary depending on graphic application.

ECO-Glass

ECO-Glass is a "green" alternative to standard acrylic or plexiglass and is made from 100% post-industrial recycled content. ECO-Glass can be used for infills, accents and direct print graphic substrate. ECO-Glass can be clear or frosted.

ECO-Board

ECO-Board is a white printable and completely biodegradable polystyrene material. It offers a 2-sided printable surface which makes it an eco-friendly alternative to Sintra (made from PVC), and can biodegrade in a landfill in as little as 9 months. ECO-Board comes in 2 different thicknesses - 1/16" & 1/8."